



DOSATRON®

WATER POWERED DOSING TECHNOLOGY

SCHEMATICS

Dosatron Liquid Dispenser **Model #D07RE5 - 3 GPM**

1:128 – 1:18

4.3 – 85 PSI

3/4" NPT Connection

Suggested Installation:

200 mesh/80 micron water filter prior to unit

One-way check valve downstream from unit for water hammer protection

Suggested Maintenance Interval:

Replace injection seals every 12 months

DOSATRON SALES & SERVICE - NORTH & CENTRAL AMERICA

Dosatron International, Inc.

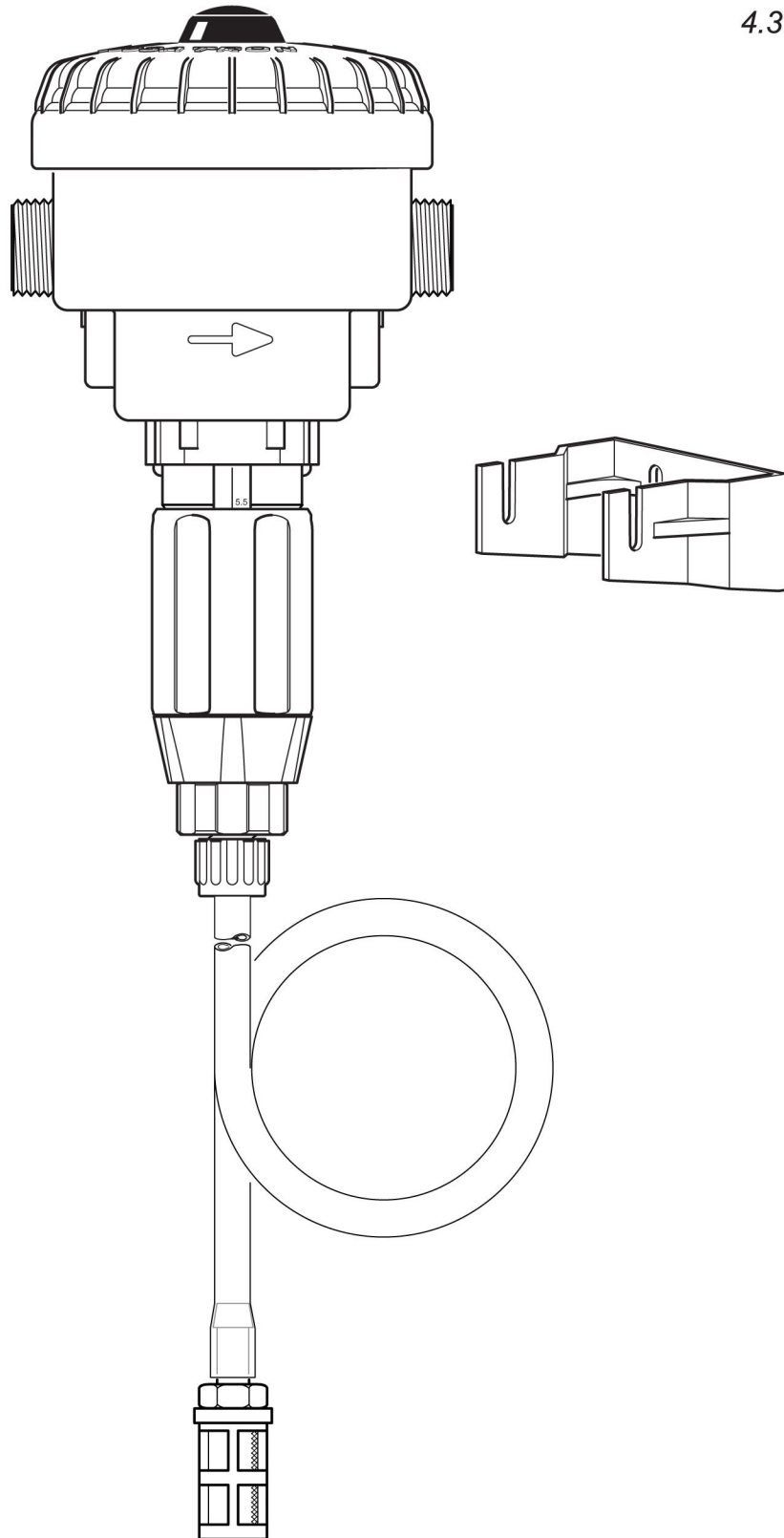
Phone: 727-443-5404 Service: (800) 523-8499

Fax: 727-447-0591

www.dosatronUSA.com

D07RE5

0.7 m³/h - 0.8 - 5.5 %
3 GPM - 1:128 - 1:18
0.3 - 6 bar
4.3 - 85 psi

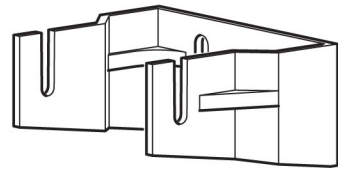
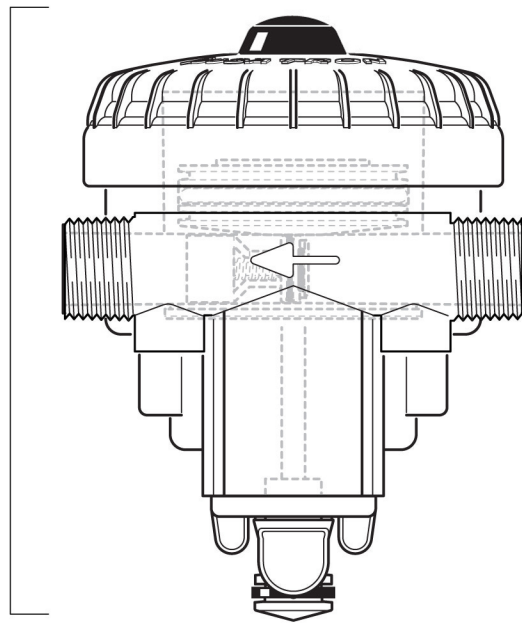


D07RE5/1005/D

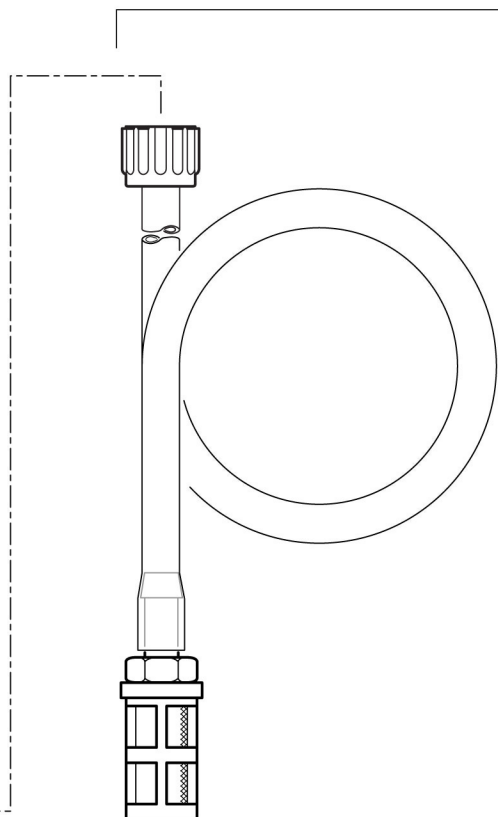
D07RE5

0.7 m³/h - 0.8 - 5.5 %
3 GPM - 1:128 - 1:18
0.3 - 6 bar
4.3 - 85 psi

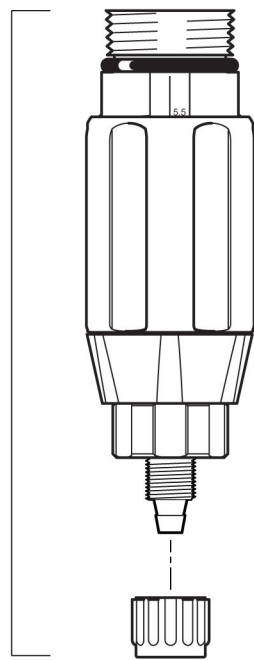
C+M



A



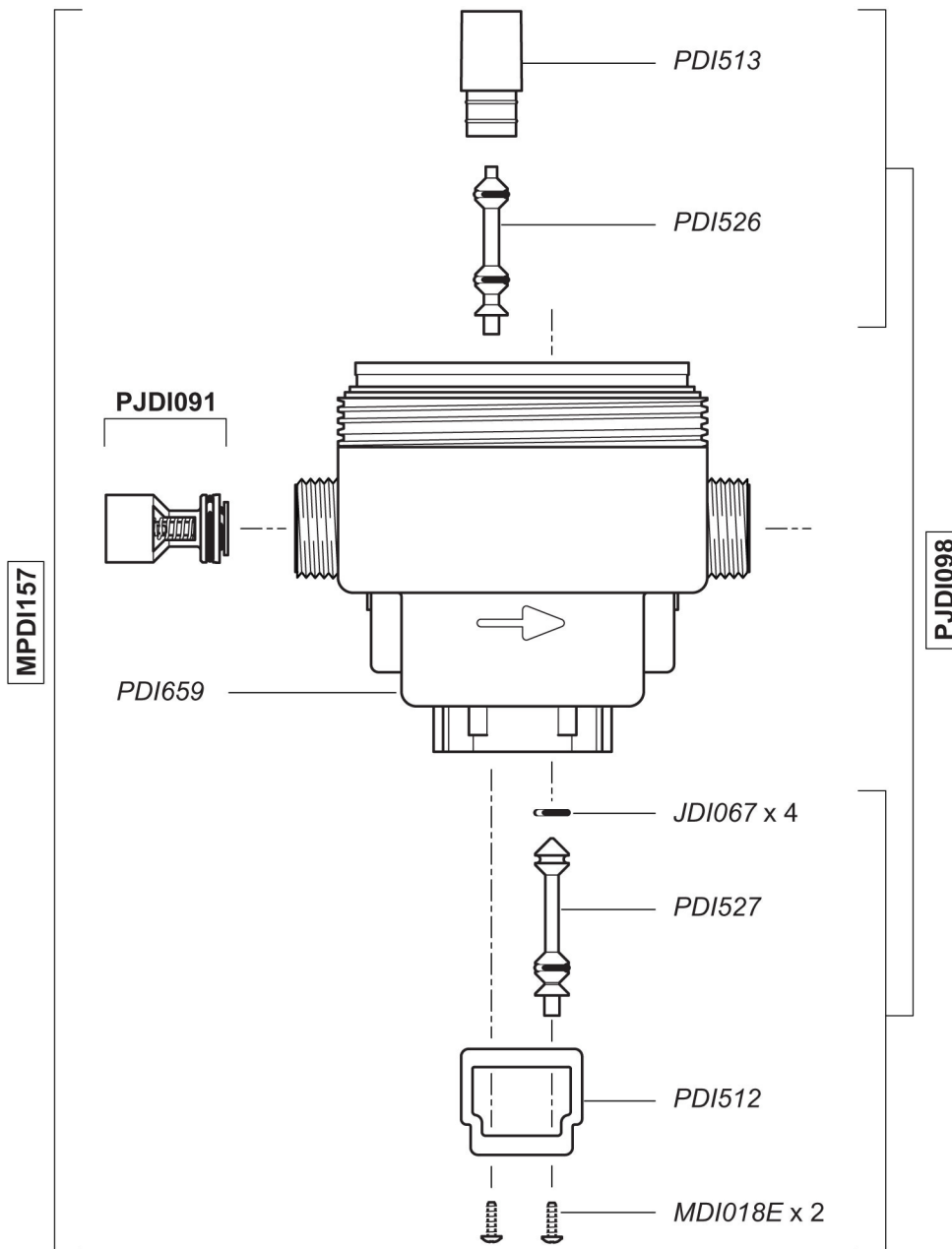
D



D07RE5/1005/D

D07RE5

0.7 m³/h - 0.8 - 5.5 %
3 GPM - 1:128 - 1:18
0.3 - 6 bar
4.3 - 85 psi

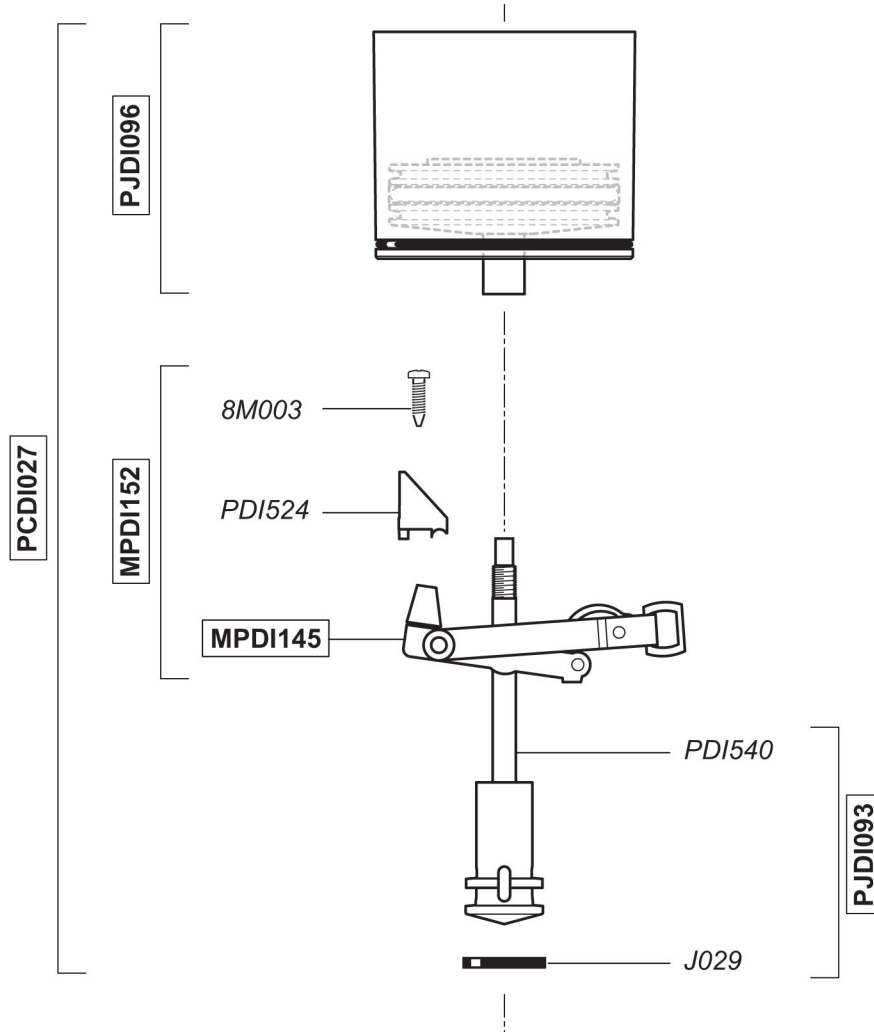


D07RE5/1005/D



D07RE5

0.7 m³/h - 0.8 - 5.5 %
3 GPM - 1:128 - 1:18
0.3 - 6 bar
4.3 - 85 psi

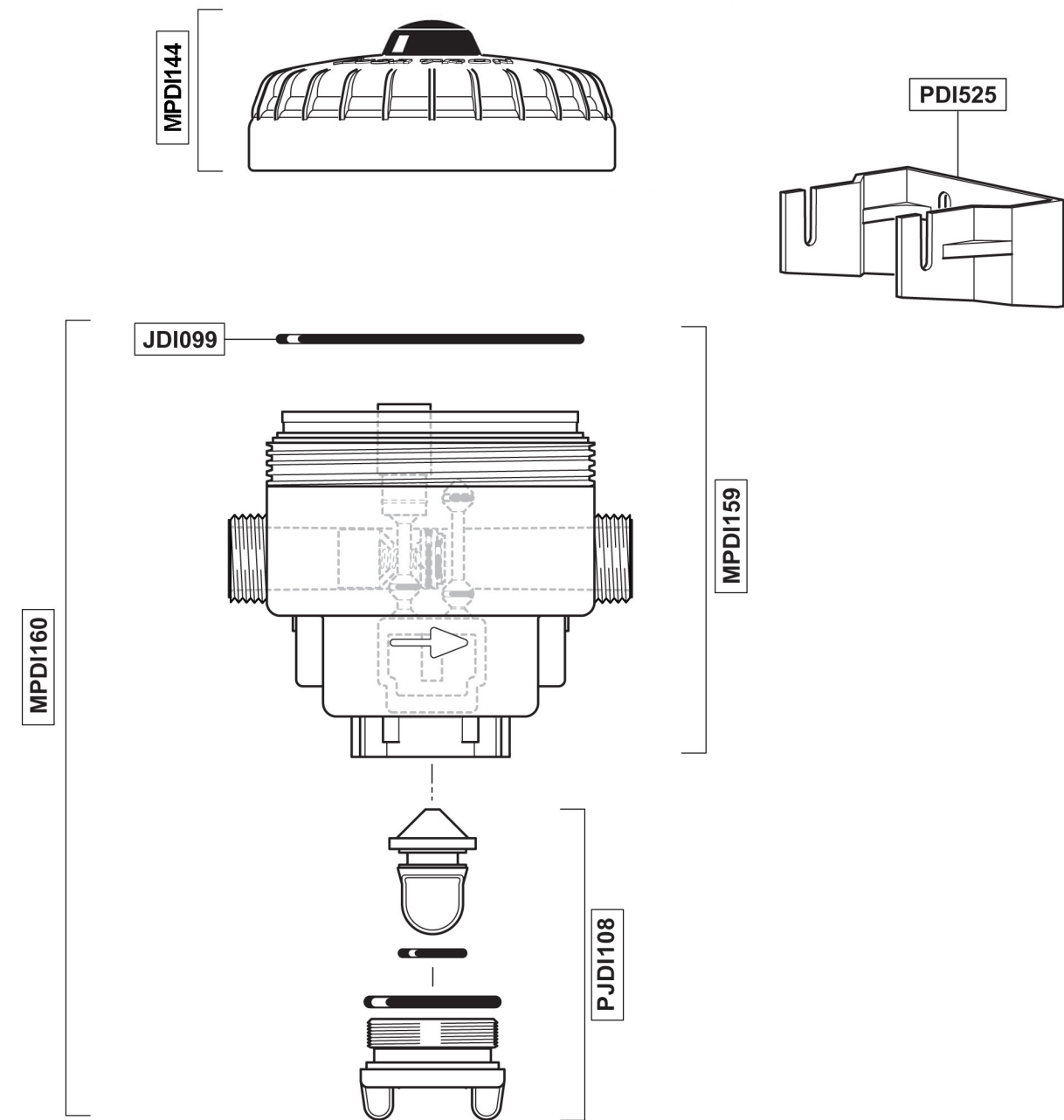


D07RE5/1005/D

C+M

D07RE5

0.7 m³/h - 0.8 - 5.5 %
3 GPM - 1:128 - 1:18
0.3 - 6 bar
4.3 - 85 psi

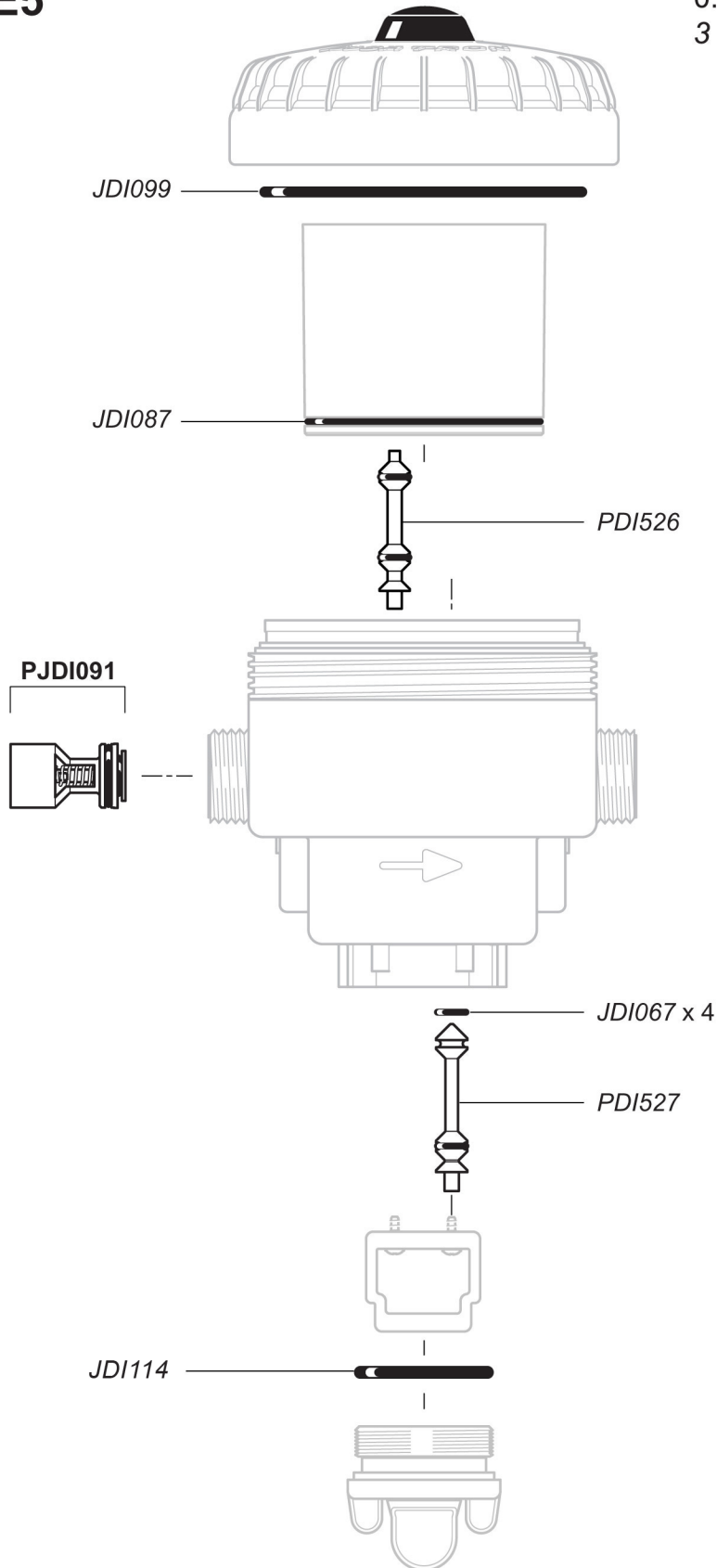


D07RE5/1005/D

C+M

D07RE5

0.7 m³/h - 0.8 - 5.5 %
3 GPM - 1:128 - 1:18
0.3 - 6 bar
4.3 - 85 psi

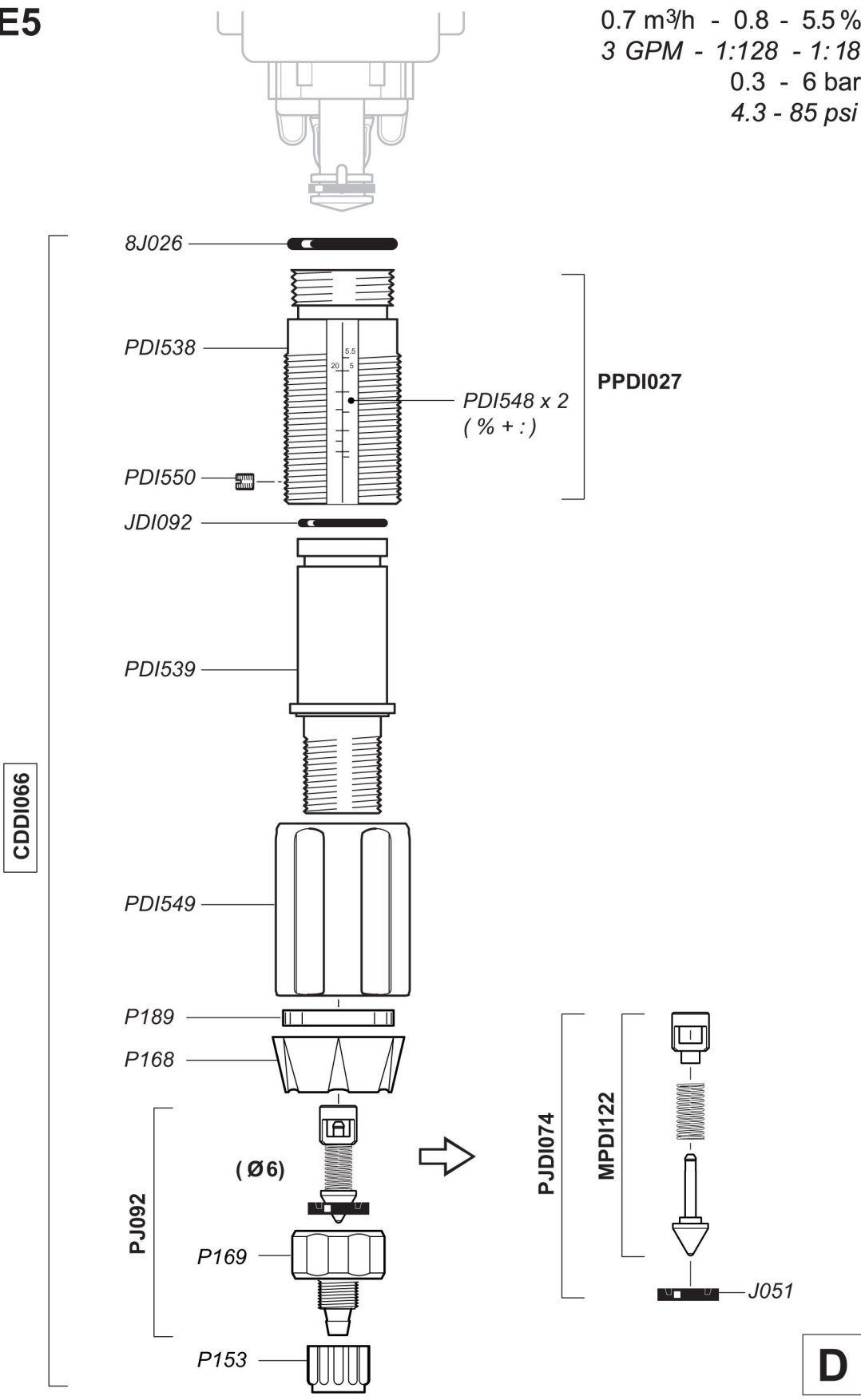


D07RE5/1005/D

C+M

D07RE5

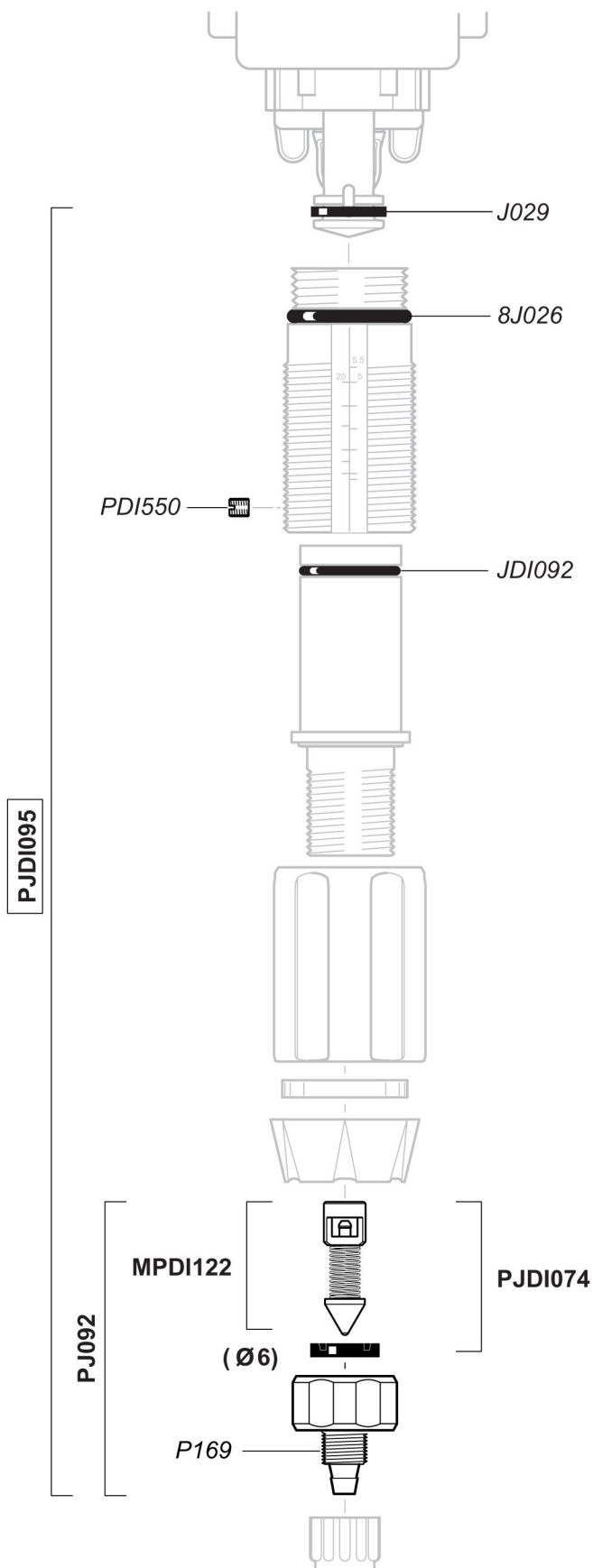
0.7 m³/h - 0.8 - 5.5 %
 3 GPM - 1:128 - 1:18
 0.3 - 6 bar
 4.3 - 85 psi



D07RE5/1005/D

D07RE5

0.7 m³/h - 0.8 - 5.5 %
3 GPM - 1:128 - 1:18
0.3 - 6 bar
4.3 - 85 psi

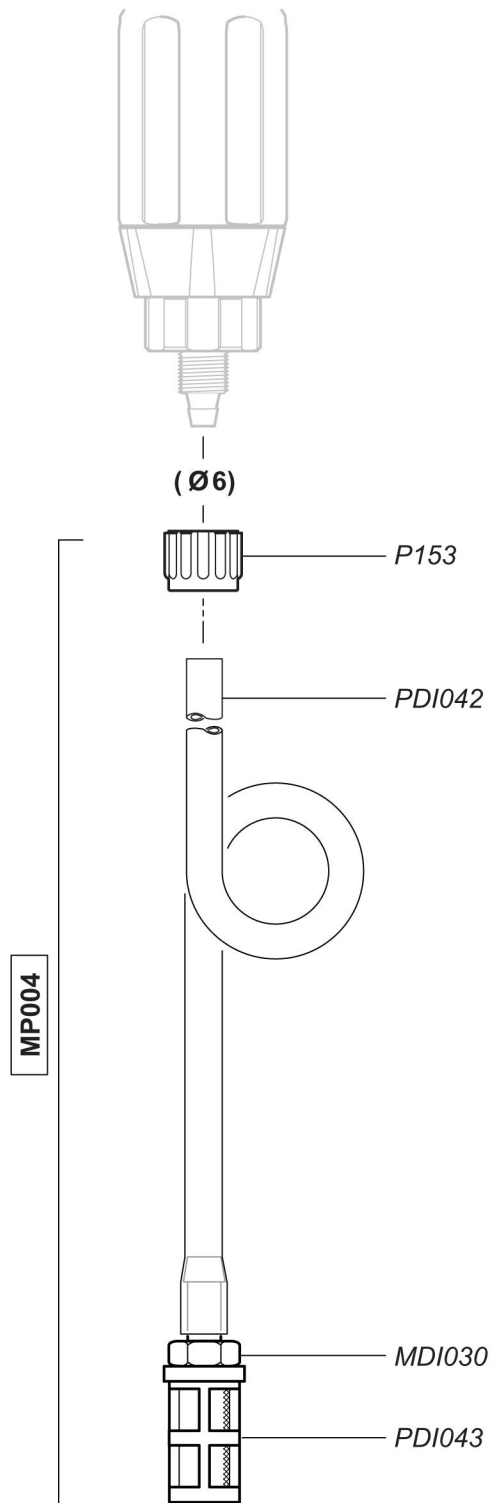


D07RE5/1005/D

D

D07RE5

0.7 m³/h - 0.8 - 5.5 %
3 GPM - 1:128 - 1:18
0.3 - 6 bar
4.3 - 85 psi



D07RE5/1005/D

A